

Applications

- Wireless Networks
- DAS Applications
- Architectures Using Separate Optical Wavelengths to Carry Targeted Services

Features

- Standard ITU Grid Wavelengths
- Advanced Analog Chip Design
- Reduced Equipment Requirements in the Hub
- OC-48 Pin Out
- Telcordia Technologies™ 468 Compliant
- Wide Temperature Range – Stable Even in Harsh Environments
- RoHS Compliant

The 1764 laser module is a Dense Wavelength Division Multiplexing (DWDM) laser for analog wireless and distributed antenna system (DAS) applications. It features a distributed-feedback (DFB) device that has been designed specifically for radio frequency (RF) and wireless applications. The 1764 laser has a wide temperature range for reliable performance in harsh node environments and narrow transmitter designs. It also features low adiabatic chirp to maximize signal quality in short and long lengths of fiber. The laser's excellent inherent linearity minimizes degradation of the broadcast signals caused by quadrature amplitude modulated (QAM) channels.

The 1764 is available in all C-band ITU grid wavelengths.

Performance Highlights

Parameter	Min	Typical	Max	Units
Available Wavelengths	See page 3			nm
Operating Temperature Range	-40	25	+85	°C
Slope Efficiency	0.12	-	0.28	mW/mA
Adiabatic Chirp (measured at 500 MHz)	40	-	100	MHz/mA
2 nd Order IMD			-57	dBc
3 rd Order IMD			-70	dBc
Frequency Range	5	-	2700	MHz
RF Return Loss	16	-	-	dB

Absolute Maximum Ratings

Stresses in excess of the absolute maximum ratings can cause permanent damage to the device. These are absolute stress ratings only. Functional operation of the device is not implied at these or any other conditions in excess of those given in the operational sections of the data sheet. Exposure to absolute maximum ratings for extended periods can adversely affect device reliability.

Parameter	Symbol	Condition	Min	Max	Unit
Operating Temperature Range	T _C	Continuous	-40	+85	°C
Storage Temperature Range	T _{STG}	Continuous	-40	+85	°C
Laser Forward DC Current	-	Continuous	-	150	mA
Photodiode Reverse Voltage	V _{MPD}	Continuous	-	10	V
Laser Reverse Voltage, DC	-	Continuous	-	1	V
ESD	-	HBM: R = 1500 Ohm, C = 100pF	-500	500	V
TEC Current	I _{TEC}	Continuous	-1.5	1.5	A

Electrical/Optical Characteristics

Laser Temperature (TL) = 25°C, $I_F = I_{OP}$, Beginning of Life (BOL)

Parameter	Symbol	Condition	Min	Typ	Max	Unit
Operating Case Temperature	T_C	-	-40	25	+85	°C
Slope Efficiency	η	$I_{OP} = I_{th} + 45$ mA	0.12	-	-	mW/mA
Threshold Current	I_{TH}	25°C, BOL	-	-	20	mA
Operating Current	I_{OP}	BOL	-	-	120	mA
Operating Voltage	V_{OP}	25°C, BOL	-	-	2.5	V
Wavelength	λ	ITU Grid	See page 4			nm
λ Drift over T_C Range	$\Delta\lambda_{OP}$	$I_F = 60$ mA, $T = T_{OP}$	-	-	40	pm
Laser Adiabatic Chirp	FM	$I_F = 60$ mA, $T_{OP} = 25^\circ\text{C}$ @ 500 MHz	40	-	100	MHz/mA
Optical Return Loss	ORL	-	40	-	-	dB
Side Mode Suppression Ratio	SMSR	-	30	-	-	dB
Optical Isolation	ISO	25°C	30	-	-	dB
Relative Intensity Noise	RIN	$I_F = I_{TH} + 70$ mA	-	-	-155	dB/Hz
Nominal Input Impedance	Z_{IN}	-	22	25	27	Ω
MPD Responsivity	r_{PD}	$V_{RM} = 5$ V	10	-	200	$\mu\text{A/mW}$
MPD Dark Current	I_D	$I_{OP} = 0$ mA $V_{RM} = 5$ V, $T_{OP} = 25^\circ\text{C}$	-	-	0.2	μA
MPD Current Relative to Output Power	-	$V_{RM} = 5$ V, $T_{OP} = 25^\circ\text{C}$	10	-	200	mA/W
Thermistor Resistance	R_{TH}	$T_{OP} = 25^\circ\text{C}$	9.5	10	10.5	k Ω
Thermistor Temp. Coefficient	TC_{TH}	$T_{OP} = 25^\circ\text{C}$	-	-4.4	-	%/°C
TEC Voltage	V_{TEC}	-	-2.5	-	3.8	V

RF Characteristic

Laser Temperature (TL) = 25°C, $I_{OP} = I_{th} + 45$ mA, Beginning of Life (BOL)

Parameter	Symbol	Condition	Min	Typ	Max	Units
Frequency Response Flatness	S21	40 MHz to 890 MHz $I_F = 60$ mA, $T_{OP} = 25^\circ\text{C}$	-	-	1	dB _{p-p}
		5 MHz to 2700 MHz $I_F = 60$ mA, $T_{OP} = 25^\circ\text{C}$	-	-	4	dB _{p-p}
RF Return Loss resistive match 50 Ω to 25 Ω pad	S11	5 MHz to 2700 MHz $I_F = 60$ mA, $T_{OP} = 25^\circ\text{C}$	16	-	-	dB
2 nd Order IMD	IMD2	900 MHz (f1 = 942 MHz, f2 = 943 MHz) OMI = 5% per carrier ⁽ⁱ⁾	-	-	-57	dBc
		1800 MHz (f1 = 943 MHz, f2 = 1885 MHz) OMI = 5% per carrier ⁽ⁱ⁾	-	-	-57	dBc
3 rd Order IMD	IMD3	900 MHz (f1 = 942 MHz, f2 = 943 MHz) OMI = 5% per carrier ⁽ⁱ⁾	-	-	-76	dBc
		1800 MHz (f1 = 1842 MHz, f2 = 1843 MHz) OMI = 5% per carrier ⁽ⁱ⁾	-	-	-76	dBc
		2100 MHz (f1 = 2140 MHz, f2 = 2145 MHz) OMI = 5% per carrier ⁽ⁱ⁾	-	-	-70	dBc
		2600 MHz (f1 = 2640 MHz, f2 = 2650 MHz) OMI = 5% per carrier ⁽ⁱ⁾	-	-	-70	dBc

(i) Laser Temperature (TL) = 25°C, $I_{OP} = I_{th} + 45$ mA, Fiber Length = 2 km, Beginning of Life (BOL)

In order to prevent reflection-induced distortion, the laser must be connected to an optical cable having a return loss of at least 55 dB for discrete reflections and 30 dB for distributed reflections.

For 6 and 8mW option, lossy splice may be applied.

ITU Grid Channel Numbering

Channel	Wavelength (nm)
62	1527.99
61	1528.77
60	1529.55
59	1530.33
58	1531.12
57	1531.90
56	1532.68
55	1533.47
54	1534.25
53	1535.04
52	1535.82
51	1536.61
50	1537.40
49	1538.19
48	1538.98

Channel	Wavelength (nm)
47	1539.77
46	1540.56
45	1541.35
44	1542.14
43	1542.94
42	1543.73
41	1544.53
40	1545.32
39	1546.12
38	1546.92
37	1547.72
36	1548.51
35	1549.32
34	1550.12
33	1550.92

Channel	Wavelength (nm)
32	1551.72
31	1552.52
30	1553.33
29	1554.13
28	1554.94
27	1555.75
26	1556.56
25	1557.36
24	1558.17
23	1558.98
22	1559.79
21	1560.61
20	1561.42
19	1562.23
18	1563.05

Electrical Schematics

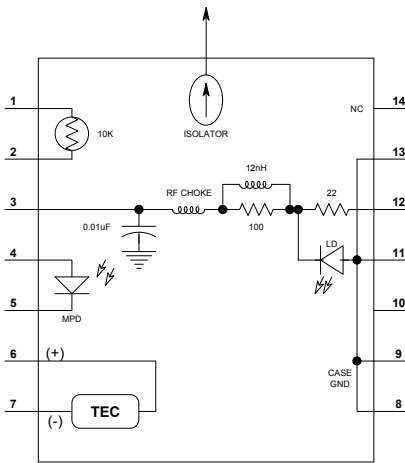


Figure 1. 1764 Laser Simplified Schematic

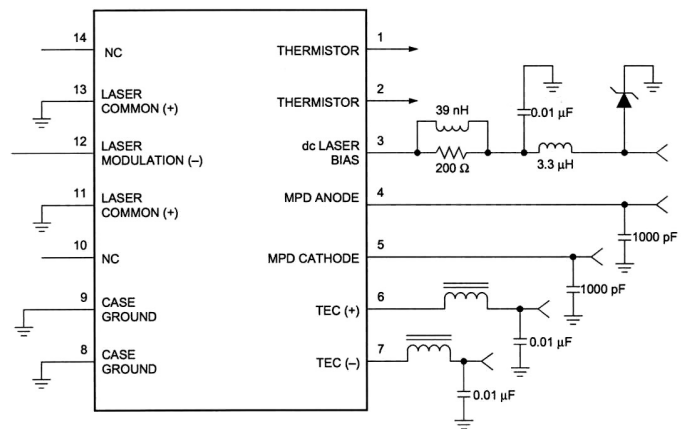
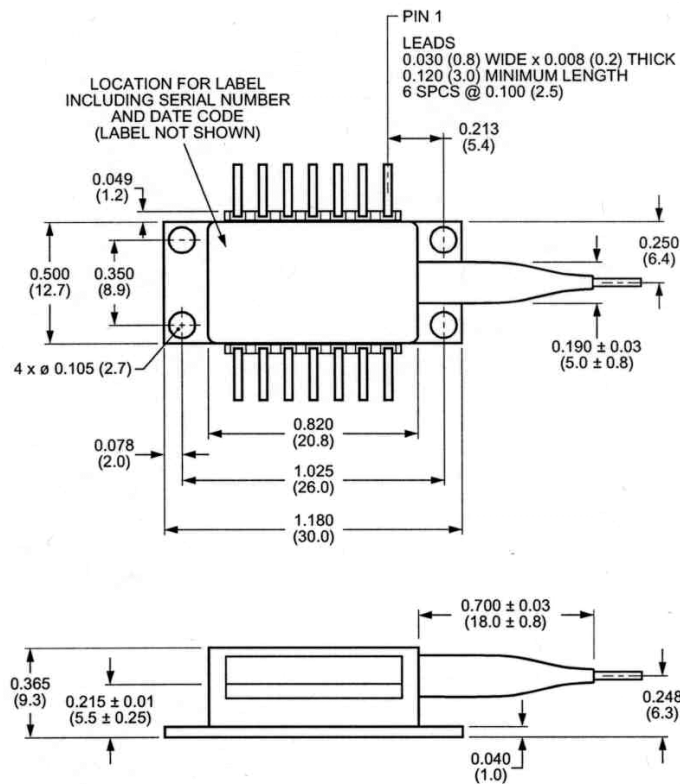


Figure 2. 1764 Circuit Schematic

Pin Definitions

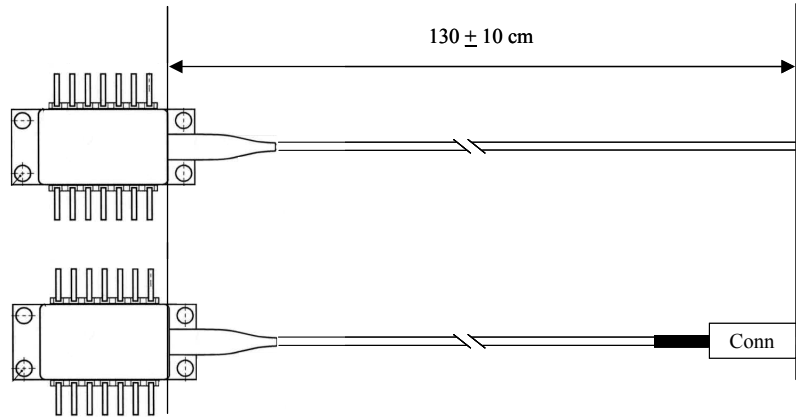
Pin	Description
1	Thermistor
2	Thermistor
3	DC Laser Bias (-)
4	MPD Anode (-)
5	MPD Cathode (+)
6	Thermal Electric Cooler (+)
7	Thermal Electric Cooler (-)
8	Case Ground
9	Case Ground
10	NC
11	Laser Common (+), Case GND
12	Laser Modulation (-)
13	Laser Common (+), Case GND
14	NC

Outline Diagram (Dimensions are in inches and millimeters)



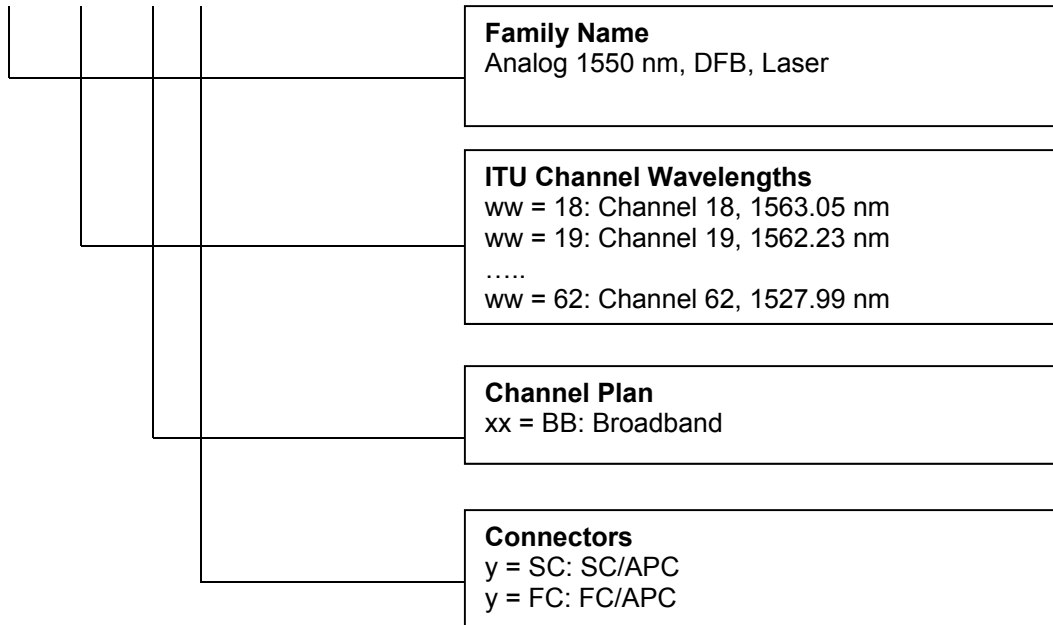
Fiber type: 0.9 mm O.D. jacketed single mode 9/125 mm (SMF-28)
 Fiber length: 130 cm + 10 cm, measured as shown below
 Nominal pin lead length: 0.2 inch (from external package wall)

Outline Diagram (continued)



Ordering Code Definitions

1764 - ww - xx - yy - 10



Example

1764-32-BB-SC-10: 1764, ITU channel 32, 1551.72 nm, SC/APC connector.

Laser Safety

This product meets the appropriate standard in Title 21 of the Code of Federal Regulations (CFR). FDA/CDRH Class 1M laser product. This device has been classified with the FDA/CDRH under accession number 0220309.

All Versions of this laser are Class 1M laser product, tested according to IEC 60825-1:2014/EN 60825-1:2007

Single-mode fiber pigtail with SC/APC connectors (standard).

Wavelength = 1.5 μm.

Maximum power = 30 mW.

Because of size constraints, laser safety labeling (including an FDA class 1M label) is not affixed to the module, but attached to the outside of the shipping carton.

Product is not shipped with power supply.

Caution: Use of controls, adjustments and procedures other than those specified herein may result in hazardous laser radiation exposure. Viewing the laser output with telescopic optical instruments (for example, telescopes and binoculars) may pose an eye hazard and thus the user should not direct the beam into an area where such instruments are likely to be used.

