



Applications

- MDU
- CCTV
- Point-to-Multipoint
- Tapped Trunk
- Site Diversity
- FTTH/RFoG

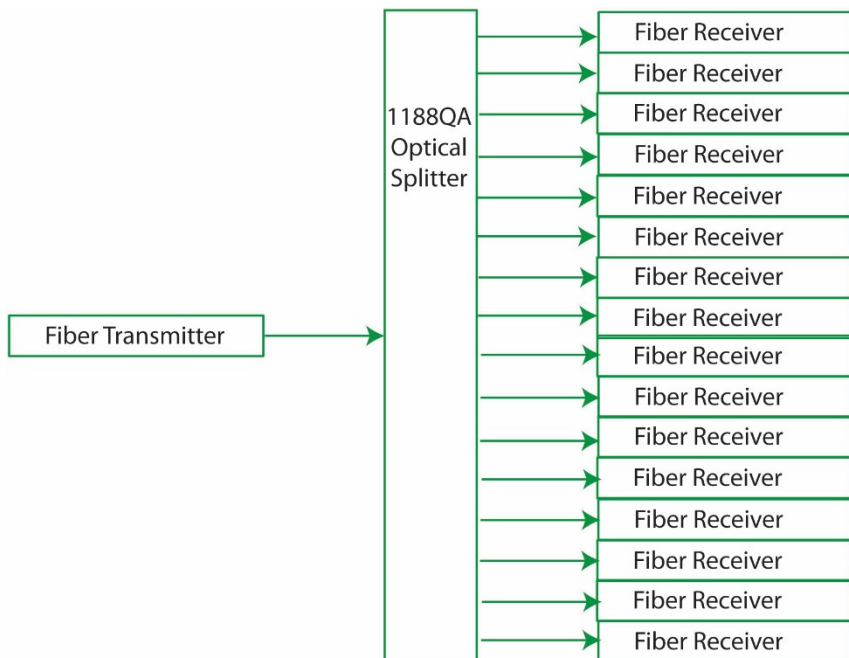
Features

- 1260-1650 nm
- Optical Interface SC/APC or FC/APC
- Up to 32-Way Optical Splitting
- Custom Split Ratios
- 1U 19" Rack Mountable Package
- Cost-Effective High-Performance Means for Creating a Variety of Point-to-Multipoint Network Configurations
- Low Optical Insertion Loss and High Flatness

The EMCORE Model 1188QA Optical Splitter/Coupler provides the ability to create a variety of point-to-multipoint fiber optic networks. When used with any of EMCORE's fiber optic transmitters it allows a single unit to transmit to as many as 32 optical receivers with low insertion loss and excellent flatness. The splitter/coupler accepts optical inputs from 1260-1650 nm and splits the signal into the required number of outputs for distribution to separate locations.

The 1188QA Optical Splitter/Coupler allows private network providers to configure a system to their exact requirements to deliver the most cost-effective solution for their application.

Functional Diagram



General Characteristics

Specifications	Values
Dimensions	11.8"D x 19"W x 1.75"H
Weight	5.5lbs
Operating Temperature	-20°C to +75°C
Storage Temperature	-40°C to +85°C
Humidity	0 to 95% non-condensing

Optical Specifications

Parameter	Symbol	Min	Typ	Max	Unit
Insertion Loss					
2-Way		-	3.3	4.0	dB
4-Way		-	6.3	7.0	
6-Way		-	8.1	9.0	
8-Way	-	-	9.5	10.6	
10-Way		-	10.5	12.0	
12-Way		-	11.4	13.2	
16-Way		-	12.6	14.0	
32-Way		-	-	16.8	
Port to Port Uniformity					
2-Way		-	-	0.7	dB
4-Way		-	-	1.4	
6-Way		-	-	1.7	
8-Way	-	-	-	2.1	
10-Way		-	-	2.0	
12-Way		-	-	2.3	
16-Way		-	-	2.8	
32-Way		-	-	2.0	
Directivity (2 – 32-Way)	-	50	-	-	dB
Polarization Dependent Loss	-	-	-	0.3	dB
Temperature Dependent Loss	-	-	-	1.0	dB
Input Power	-	-	-	25	dBm

* Data above does not include connectors. All connector losses <0.2 dB.

Models

Model	Description
1188QA-SFSP/02	2-way splitter, SC/APC, even split
1188QA-SFAP/02	2-way splitter, FC/APC, even split
1188QA-SFSP/04	4-way splitter, SC/APC, even split
1188QA-SFAP/04	4-way splitter, FC/APC, even split
1188QA-SFSP/06	6-way splitter, SC/APC, even split
1188QA-SFAP/06	6-way splitter, FC/APC, even split
1188QA-SFSP/08	8-way splitter, SC/APC, even split
1188QA-SFAP/08	8-way splitter, FC/APC, even split
1188QA-SFSP/10	10-way splitter, SC/APC, even split
1188QA-SFAP/10	10-way splitter, FC/APC, even split
1188QA-SFSP/12	12-way splitter, SC/APC, even split
1188QA-SFAP/12	12-way splitter, FC/APC, even split
1188QA-SFSP/16	16-way splitter, SC/APC, even split
1188QA-SFAP/16	16-way splitter, FC/APC, even split
1188QA-SFSP/32	32-Way splitter, SC/APC, even split

* For units requiring uneven split ratios, for example 90/10 please contact the factory for available models.